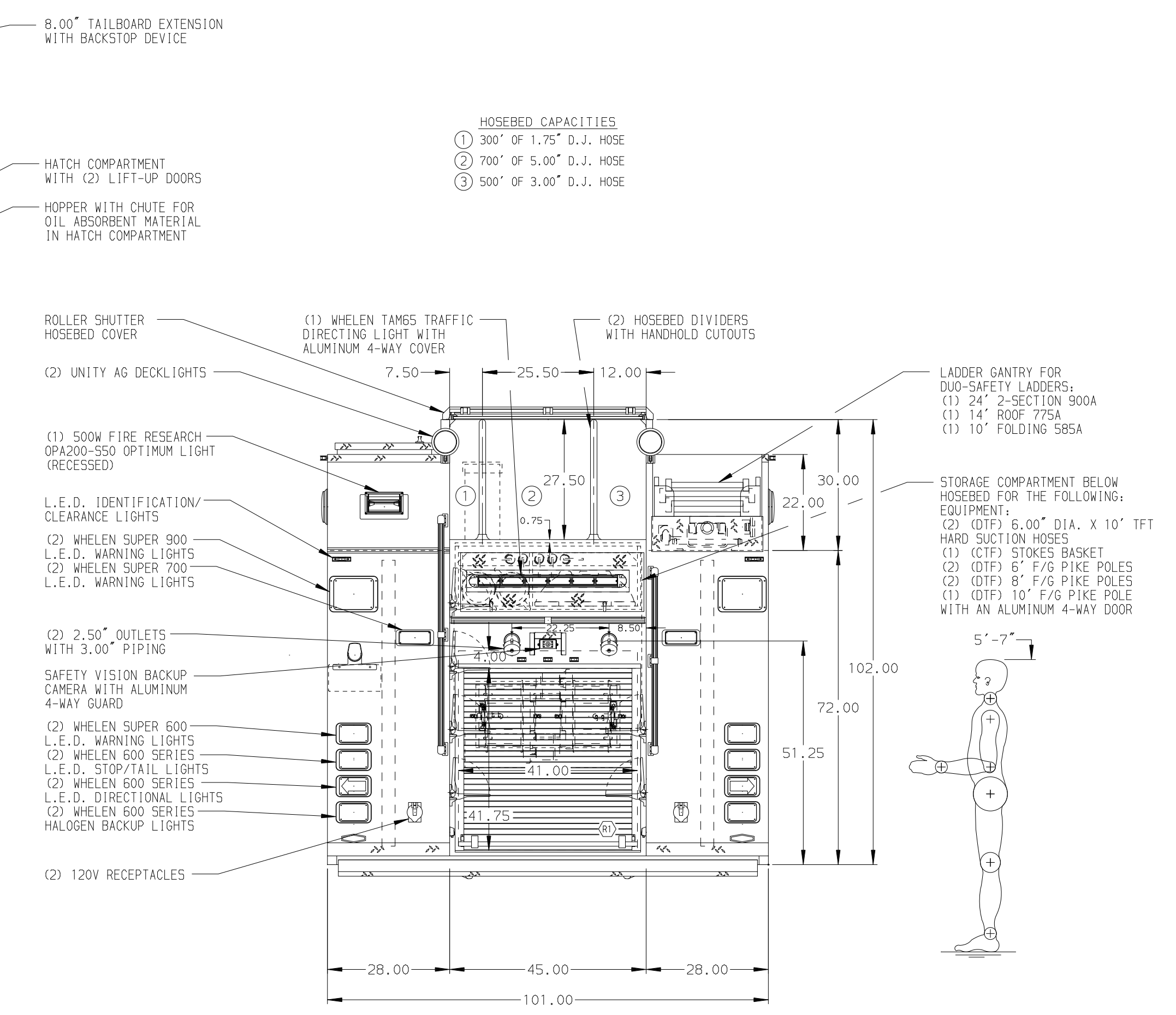
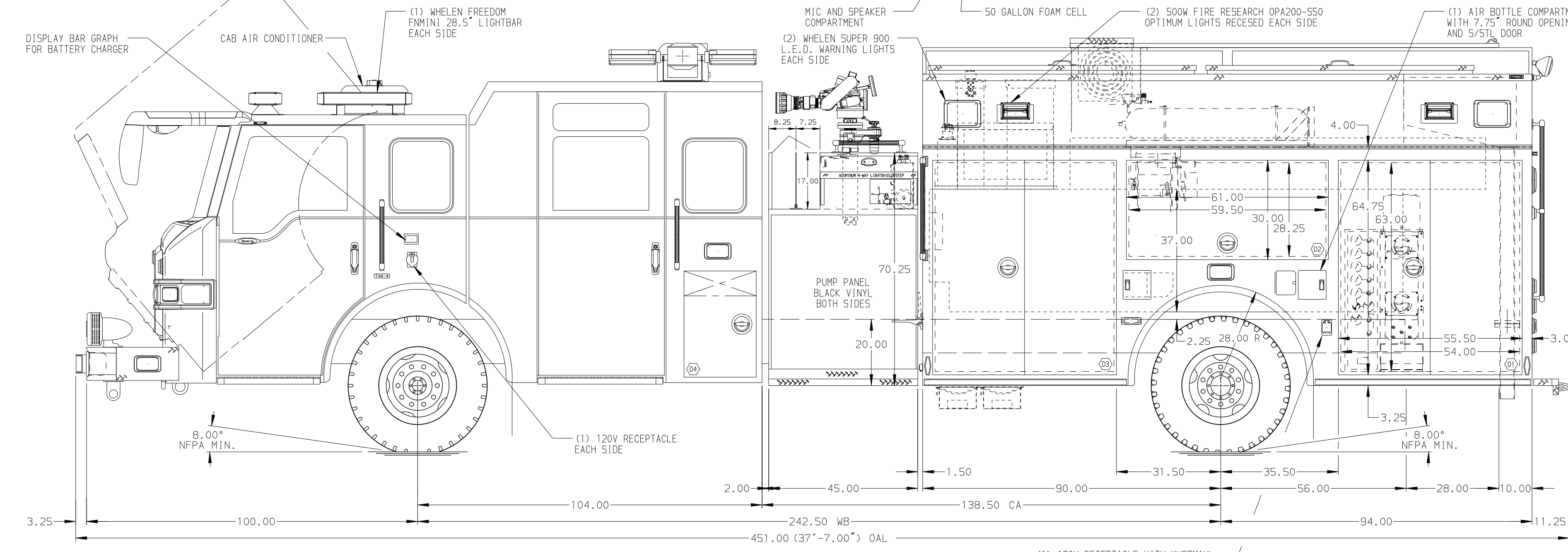


- HOSEBED CAPACITIES
- ① 300' OF 1.75" D.J. HOSE
 - ② 700' OF 5.00" D.J. HOSE
 - ③ 500' OF 3.00" D.J. HOSE



ALUMINUM BODY

MAXIMUM O.A.H. 128.00"

SIDE ROLL PROTECTION

NOTE
DIMENSIONS SHOWN ARE APPROXIMATE AND ARE SUBJECT TO MINOR DEVIATIONS AS MAY OCCUR OR BE NECESSARY IN CONSTRUCTION. MINOR DETAILS NOT SHOWN.

1. POLISHED 5/STL SCUFFPLATE ON INTERIOR OF CAB DOORS
2. PERIMETER SCENE LIGHTS LOCATED PER SHOP ORDER
3. AIR INLET WITH DISCONNECT COUPLING LOCATED ON DRIVER SIDE PUMP PANEL
4. STAINLESS STEEL FENDER CROWNS FRONT AND REAR
5. PIERCE LOGO MUDFLAPS FRONT AND REAR
6. MOUNTING BASES FOR ANTENNAS LOCATED PER SHOP ORDER
7. ONE 20A, 120V DUPLEX RECEPTACLE LOCATED IN CAB

CUSTOMER APPROVAL			
APPROVED BY: _____			
DATE: _____			
		CHASSIS DATA	TITLE
		MAKE	FOR
		MODEL	DWG NO.
		VELOCITY	



1500-D-750P W/50 GAL FOAM CELL, 184" HDRP BODY
(2) XLAYS, LADDER GANTRY, DELUGE, GENERATOR, REELS
HILLBURN FIRE DEPARTMENT
HILLBURN, NEW YORK

21278AD-SH1

JOB NO.	21278
SCALE	DATE
1:24	
DRAWN BY	19JUN08
NPA	
CHECKED BY	19JUN08
SHA	
SHEET SIZE	SHEET NO.
D	1 OF 2