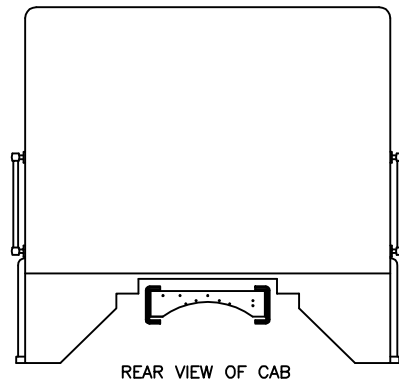
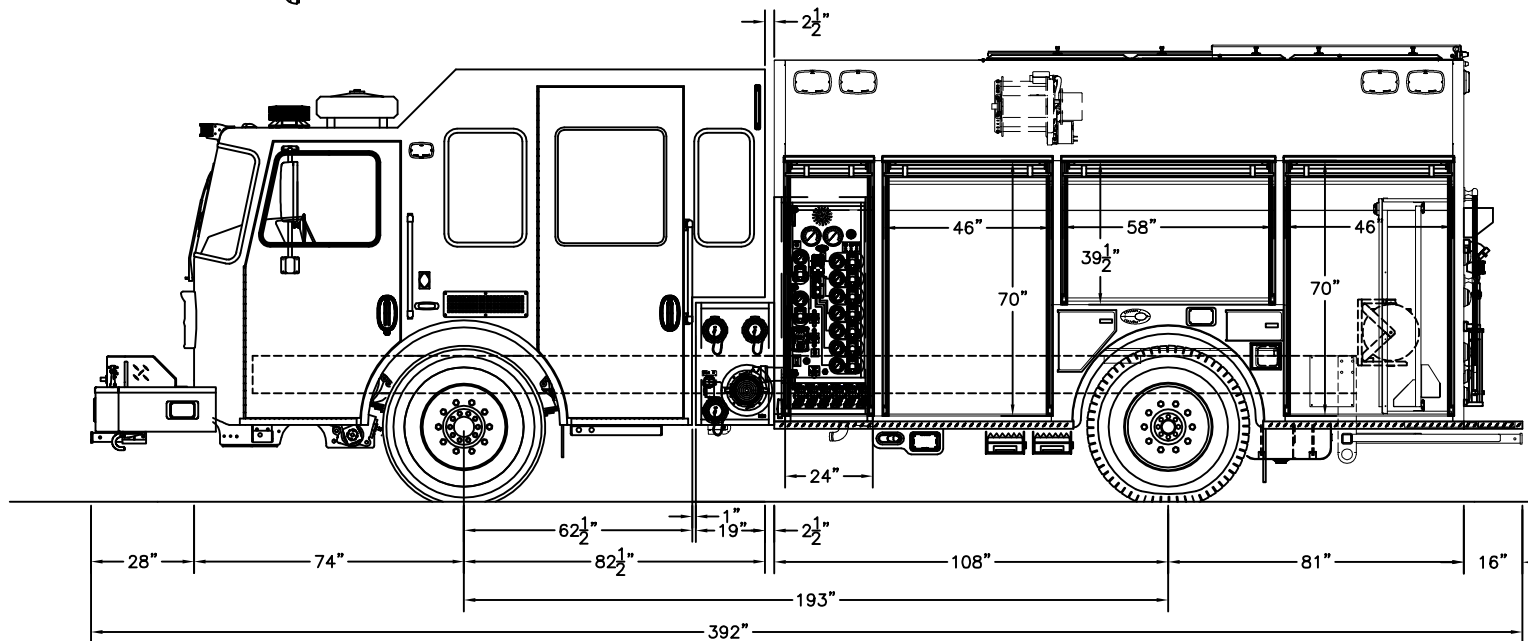
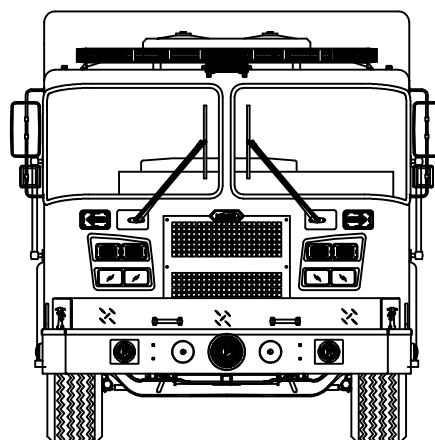
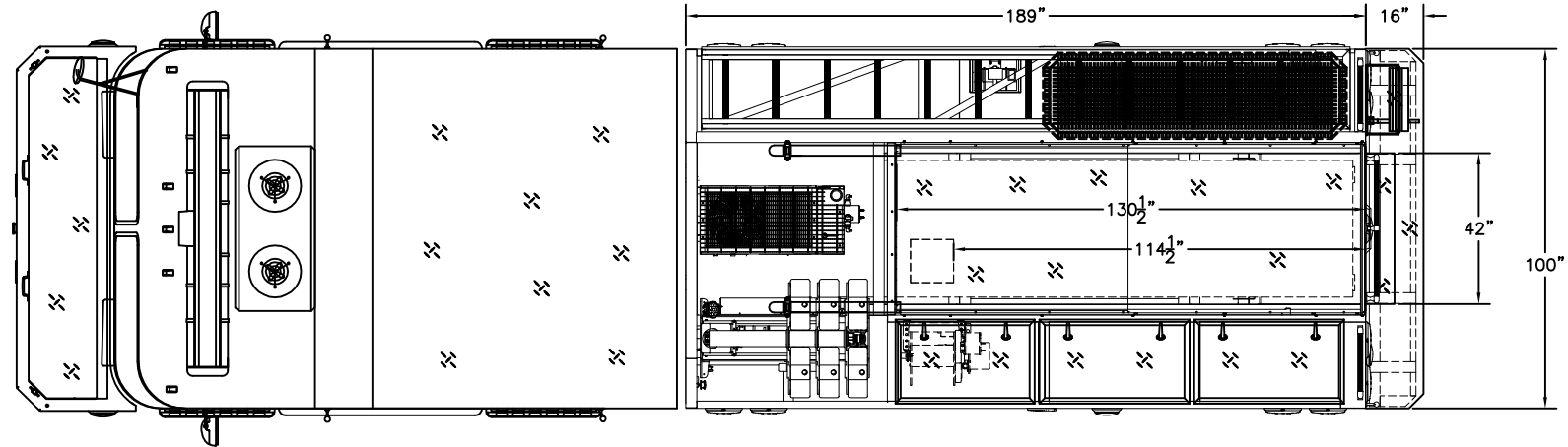


**** NOTE ****
 OVERALL HEIGHT
 12R TIRE = CURRENT
 315 TIRE ADD 1 1/4"
 425 TIRE ADD 2"



REAR VIEW OF CAB



KME PREDATOR 100"
4 DOOR XLFD WITH 16" RAISED ROOF
HALE DSD-150, 1500 GPM SINGLE STAGE
750 GALLONS OF WATER TANK, POLY
189" PRO FLUSHBACK, 12 GA SST (304L)

THIS DRAWING IS A GENERAL CONFIGURATION AND MAY NOT NECESSARILY REFLECT ALL CONTRACTUAL REQUIREMENTS. CONTRACT SPECIFICATIONS SHALL PREVAIL OVER DRAWING.

CUSTOMER APPROVAL:

NAME: _____
 TITLE: _____
 DATE: _____

SYM	DATE	REVISION DESCRIPTION	APP'D
C	9-30-15	Delete Trans Tool Compt & Rr Access	DMW
B	8-27-15	Revised to Spec-R	DMW
A	11-21-14	PRE-CON CHANGES	ZCZ

SALES ENGINEER : RYAN SLANE

DIMENSIONS ARE APPROXIMATE & MAY VARY DUE TO BUILD ADJUSTMENTS			
SCALE	DWG SIZE	DRAWN BY	DATE
1"=24"	D	KRG	9/18/2014

KME CUSTOM PRO PUMPER
STONY POINT, NY

GSO#9887



KOVATCH MOBILE EQUIPMENT
 ONE INDUSTRIAL COMPLEX - NESQUEHONING, PA 16240