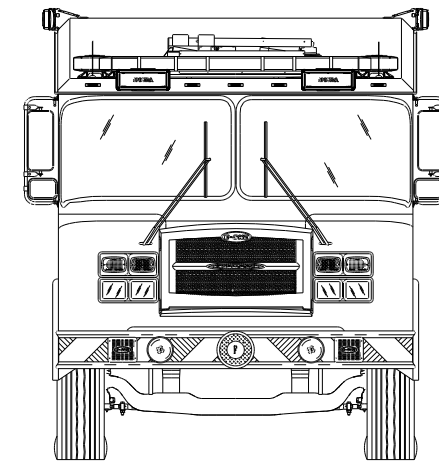
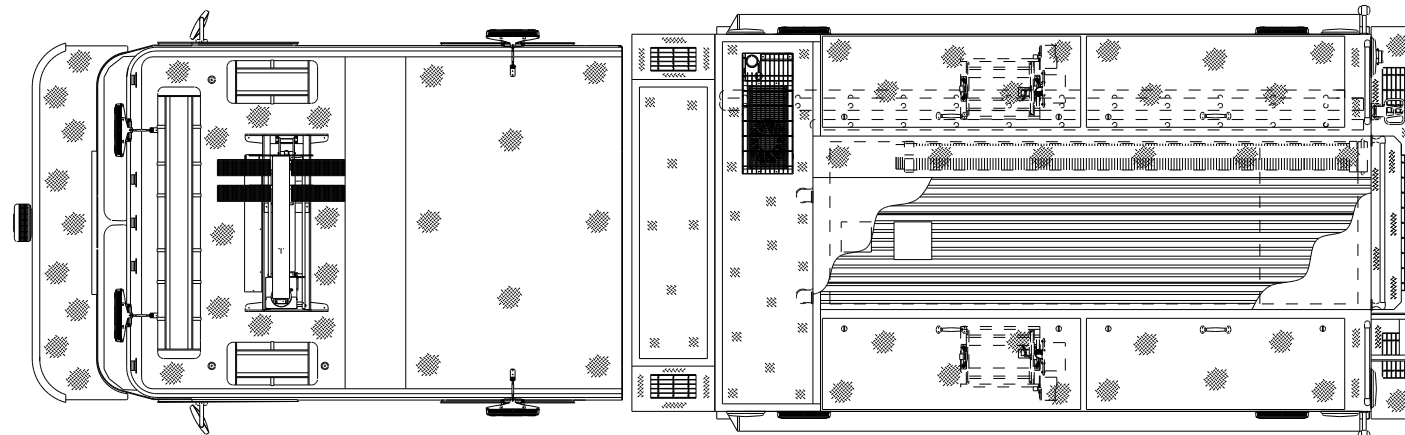




OFFICER SIDE VIEW



FRONT VIEW

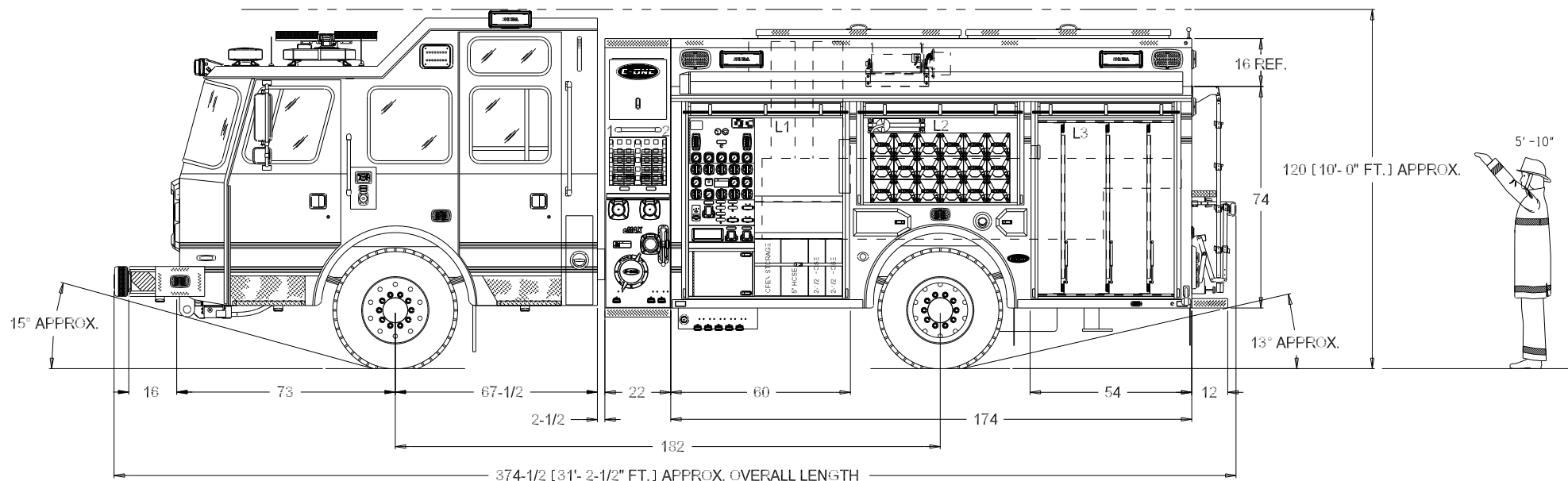


TOP VIEW

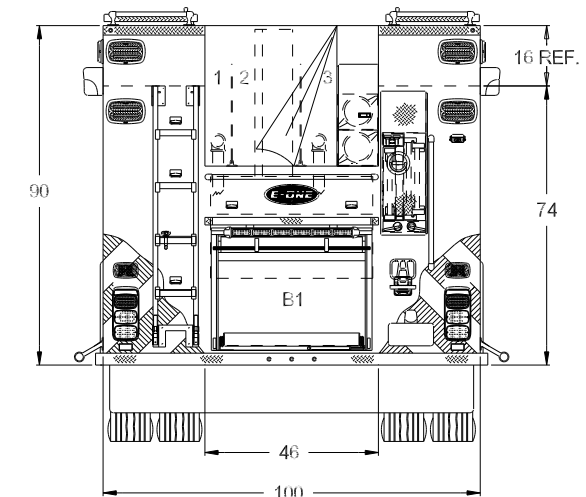
COMPARTMENT DIMENSIONS		
COMPT.	CLEAR DOOR OPENING (W x H):	COMPARTMENT INTERIOR (W x H x LD/UD):
L1	51-1/2"W x 59-1/2"H	56"W x 70"H x 27"D
L2	51-1/2"W x 28-1/4"H	60"W x 38-3/4"H x 27"D
L3	45-1/2"W x 59-1/2"H	50"W x 70"H x 27"D
R1	51-1/2"W x 59-1/2"H	56"W x 31-1/4"H x 27"D L / 56"W x 38-3/4"H x 14"D U
R2	36-1/2"W x 28-1/4"H	45"W x 38-3/4"H x 27"D
R3	45-1/2"W x 59-1/2"H	50"W x 31-1/4"H x 27"D L / 50"W x 38-3/4"H x 14"D U
B1	39"W x 23-3/4"H	46"W x 35"H x 26"D

HOSE BED LAYOUT:
 BED 1 = 500' OF 1-3/4" HOSE
 PRECONNECT
 BED 2 = 1000' OF 3" HOSE
 BED 3 = 500' OF 2-1/2" HOSE
 PRECONNECT

SPEEDLAY #1 = 200' OF 1-3/4" HOSE SPEEDLAY #2 = 200' OF 2-1/2" HOSE



DRIVERS SIDE VIEW



REAR VIEW

THIS DRAWING IS FOR REFERENCE PURPOSES. ALL DIMENSIONS ARE SUBJECT TO MINOR VARIATIONS DUE TO MANUFACTURING PROCESSES.

This print is the property of E-ONE, Inc. and is loaned to you subject to return on demand, unless otherwise agreed to in writing by E-ONE, Inc. Its contents are confidential and must not be copied or submitted to third parties for use or examination.

SALES REFERENCE ONLY

REV.	REVISION NOTE / CO#:	DATE:	DRAWN BY:
-	INITIAL DRAWING TO MATCH QUOTE REV. 21	121515	R.S.

Tolerance:
 Lin: ±.50" Ang: ±50 °
 Dealer:
 NICHOLS OXYGEN SERVICE INC.
 GENERATOR:
 SMART POWER 10KW
 Misc:

Units:
 Inches [mm Imports Only]
 Water Tank Capacity:
 500 WATER / 30 FOAM
 Misc:
 Misc:



SLOATSBURG
 QUOTE: 75868 (PSEM-TYPH)
 E-MAX RESCUE PUMPER 530 GALLON TANK
 TYPHOON LONG 16" VISTA
 FILE NAME: 75868 SLOATSBURG